

A formal MDS Domain Model



www.mdsd-buch.de



www.mdsd-book.org

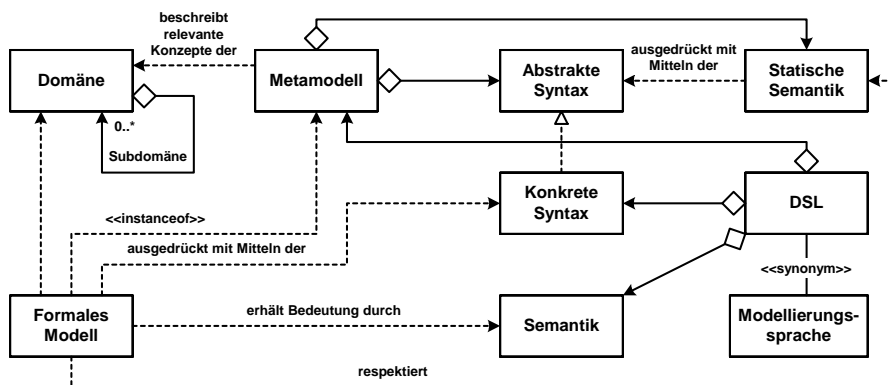
Markus Völter

voelter@acm.org
www.voelter.de



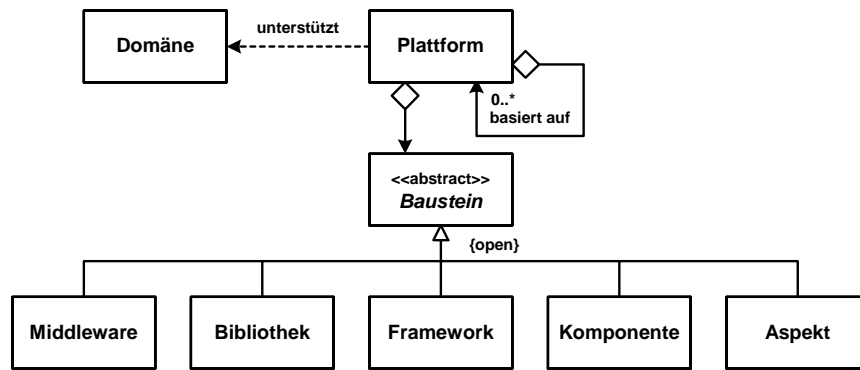
Appendix II: MDS Domain Model

- Model, DSL, Abstract Syntax, Meta model, Semantics



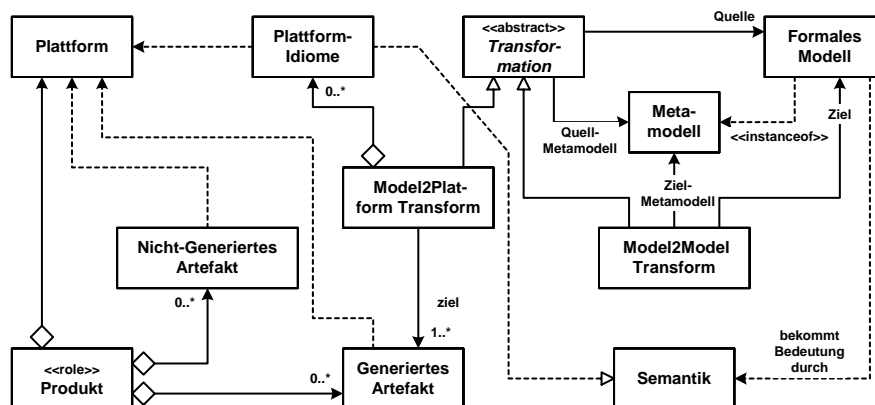
Appendix II: MDS Domain Model II

- Domain, Platform and Building Blocks



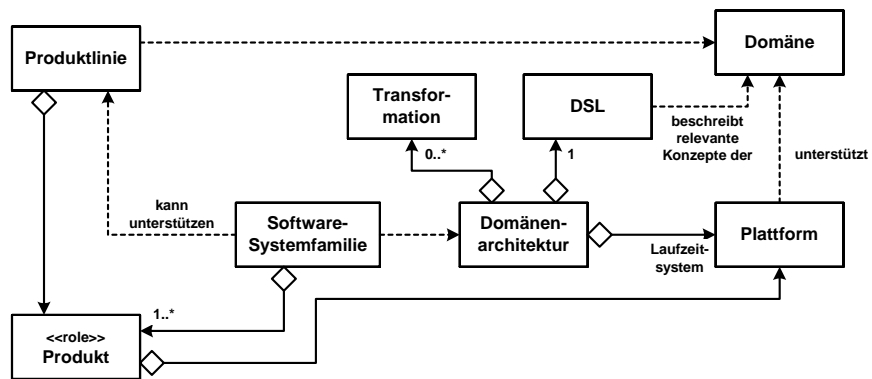
Appendix II: MDS Domain Model III

- Transformations



Appendix II: MDS Domain Model IV

- Software System Families and Product Lines



Appendix II: MDS and MDA

